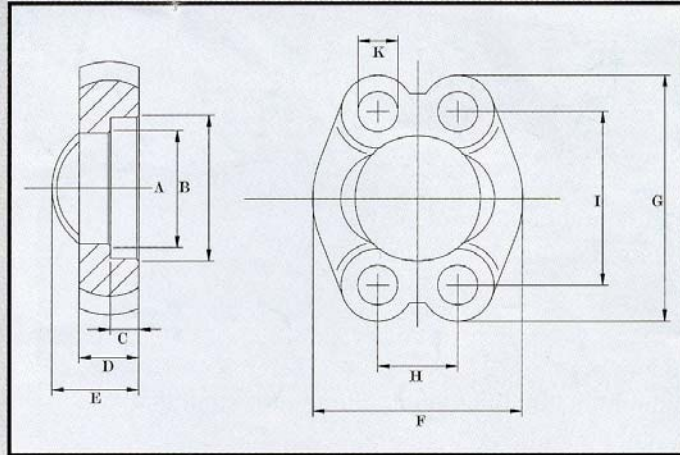


SAE-Vollflansche SAE-one-piece-flanges



Standarddruckreihe (nach ISO 6162-1*) / Standard Pressure (according to ISO 6162-1*)

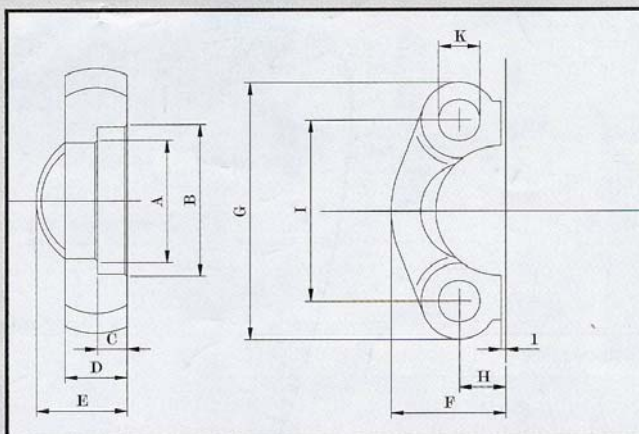
Nenngröße Nominal flange size		Bestellbezeichnung order number	Materialnummer material number	Zeichnungs- nummer drawing number	Abmessungen (mm) dimensions (mm)										
DN	Zoll inch				A	B	C	D	E	F	G	H	I	K	
13	½"	FC-3000-1/2"	1730000011	1730000011	24.3	31	6.2	13	19	46	54	17.5	38.1	8.7	
19	¾"	FC-3000-3/4"	1730000001	1730000001	32.2	38.9	6.2	14	22	52	65	22.3	47.6	10.5	
25	1"	FC-3000-1"	1730000003	1730000003	38.5	45.3	7.5	16	24	59	70	26.2	52.4	10.5	
32	1"¼	FC-3000-1"¼-10,5	1730000007	1731000001	43.7	51.6	7.5	14	24	73	79.5	30.2	58.7	10.5	
		FC-3000-1"¼	1730000008											12	
		FC-3000-1"¼-12,5	1730000004											12.5	
38	1"½	FC-3000-1"½	1730000013	1731000003	50.8	61.1	7.5	16	25	83	94	35.7	69.9	13.5	
		FC-3000-1"½-14,5	1730000014											14.5	
51	2"	FC-3000-2"	1730000017	1731000005	62.8	72.3	9	16	26	97	102	42.9	77.8	13.5	
		FC-3000-2"-14,5	1730000018											14.5	
64	2"½	FC-3000-2"½	1730000021	1731000007	74.9	84.9	9	19	38	109	114.5	50.8	88.9	13.5	
		FC-3000-2"½-14,5	1730000022											14.5	
76	3"	FC-3000-3"	1730000025	1730000025	90.9	102.4	9	22	41	131	135	61.9	106.4	17	
89	3"½	FC-3000-3"½	1730000039	1730000039	102.4	115.1	10.7	22	28	140	152	69.9	120.7	17	
102	4"	FC-3000-4"	1730000041	1730000041	115	127.8	10.7	25	35	152	162	77.8	130.2	17	
127	5"	FC-3000-5"	1730000043	1730000043	140.5	153.2	10.7	28	41	181	184	92.1	152.4	17	

Hochdruckreihe (nach ISO 6162-2*) / High Pressure (according to ISO 6162-2*)

Nenngröße Nominal flange size		Bestellbezeichnung order number	Materialnummer material number	Zeichnungs- nummer drawing number	Abmessungen (mm) dimensions (mm)										
DN	Zoll inch				A	B	C	D	E	F	G	H	I	K	
13	½"	FC-6000-1/2"	1730000027	1730000027	24.6	32.5	7.2	16	22	48	56.5	18.2	40.5	8.7	
19	¾"	FC-6000-3/4"	1730000029	1730000029	32.5	42	8.2	19	28	60	71	23.8	50.8	10.5	
25	1"	FC-6000-1"	1730000031	1730000031	38.8	48.4	9	24	33	70	81	27.8	57.2	13	
32	1"¼	FC-6000-1"¼	1730000033	1730000033	44.5	54.8	9.8	27	38	78	95	31.8	66.6	15	
38	1"½	FC-6000-1"½	1730000035	1730000035	51.6	64.3	12	30	43	95	113	36.5	79.3	17	
51	2"	FC-6000-2"	1730000037	1730000037	67.6	80.2	12	37	52	114	133	44.5	96.8	21	

*) : Maße der Schraubendurchgangslöcher z.T. abweichend, um Montierbarkeit sowohl der metrischen als auch der UNC-Schrauben zu gewährleisten.
dimensions of screw holes in part different to match both metric and UNC screws.

SAE-Flanschhalften SAE-split flanges



Standarddruckreihe (nach ISO 6162-1*) / Standard Pressure (according to ISO 6162-1*)

Nenngröße Nominal flange size		Bestellbezeichnung order number	Materialnummer material number	Zeichnungs- nummer drawing number	Abmessungen (mm) dimensions (mm)										
DN	Zoll inch				A	B	C	D	E	F	G	H	I	K	
13	½"	FCS-3000-1/2"	1730000012	1730000012	24.3	31	6.2	13	19	22.8	54	8.75	38.1	8.7	
19	¾"	FCS-3000-3/4"	1730000002	1730000002	32.2	38.9	6.2	14	22	25.9	65	11.15	47.6	10.5	
25	1"	FCS-3000-1"	1730000005	1730000005	38.5	45.3	7.5	16	24	29.2	70	13.1	52.4	10.5	
32	1¼"	FCS-3000-1¼-10,5	1730000009	1731000002	43.7	51.6	7.5	14	24	36.3	79.5	15.1	58.7	10.5	
		FCS-3000-1¼	1730000010											12	
		FCS-3000-1¼-12,5	1730000006											12.5	
38	1½"	FCS-3000-1½	1730000015	1731000004	50.8	61.1	7.5	16	25	41.1	94	17.85	69.9	13.5	
		FCS-3000-1½-14,5	1730000016											14.5	
51	2"	FCS-3000-2"	1730000019	1731000006	62.8	72.3	9	16	26	48.2	102	21.45	77.8	13.5	
		FCS-3000-2"-14,5	1730000020											14.5	
64	2½"	FCS-3000-2½	1730000023	1731000008	74.9	84.9	9	19	38	54.1	114.5	25.4	88.9	13.5	
		FCS-3000-2½-14,5	1730000024											14.5	
76	3"	FCS-3000-3"	1730000026	1730000026	90.9	102.4	9	22	41	65.3	135	30.95	106.4	17	
89	3½"	FCS-3000-3½	1730000040	1730000040	102.4	115.1	10.7	22	28	69.6	152	34.95	120.7	17	
102	4"	FCS-3000-4"	1730000042	1730000042	115	127.8	10.7	25	35	75.9	162	38.9	130.2	17	
127	5"	FCS-3000-5"	1730000044	1730000044	140.5	153.2	10.7	28	41	90.4	184	46.05	152.4	17	

Hochdruckreihe (nach ISO 6162-2*) / High Pressure (according to ISO 6162-2*)

Nenngröße Nominal flange size		Bestellbezeichnung order number	Materialnummer material number	Zeichnungs- nummer drawing number	Abmessungen (mm) dimensions (mm)										
DN	Zoll inch				A	B	C	D	E	F	G	H	I	K	
13	½"	FCS-6000-1/2"	1730000028	1730000028	24.6	32.5	7.2	16	22	23.6	56.5	9.1	40.5	8.7	
19	¾"	FCS-6000-3/4"	1730000030	1730000030	32.5	42	8.2	19	28	30	71	11.9	50.8	10.5	
25	1"	FCS-6000-1"	1730000032	1730000032	38.8	48.4	9	24	33	34.8	81	13.9	57.2	13	
32	1¼"	FCS-6000-1¼	1730000034	1730000034	44.5	54.8	9.8	27	38	38.6	95	15.9	66.6	15	
38	1½"	FCS-6000-1½	1730000036	1730000036	51.6	64.3	12	30	43	47.5	113	18.25	79.3	17	
51	2"	FCS-6000-2"	1730000038	1730000038	67.6	80.2	12	37	52	56.9	133	22.25	96.8	21	

*) : Maße der Schraubendurchgangslöcher z.T. abweichend, um Montierbarkeit sowohl der metrischen als auch der UNC-Schrauben zu gewährleisten.
dimensions of screw holes in part different to match both metric and UNC screws.